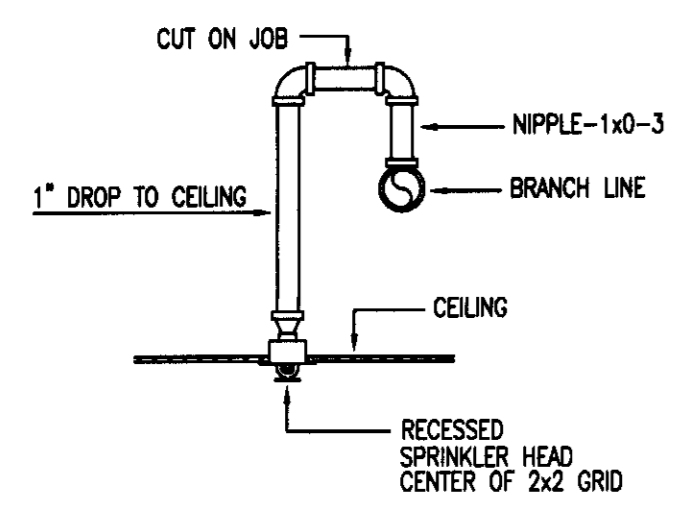


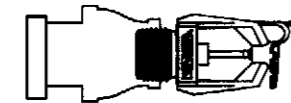
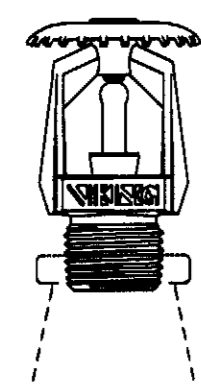
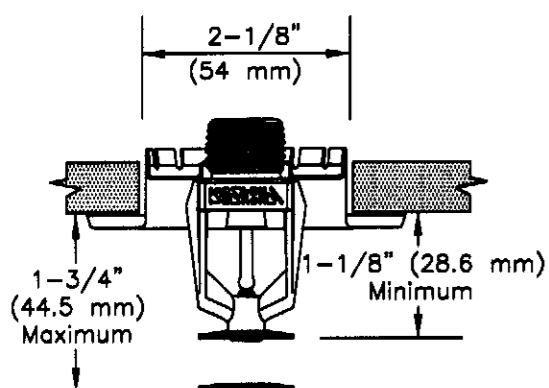
- GENERAL NOTES**
- SPRINKLER CONTRACTOR SHALL SIZE SPRINKLER PIPE BY HYDRAULIC CALCULATIONS USING THE CRITERIA NOTED ON THE REMOTE AREA SHOWN ON SHEET F0.1.
 - THE EXISTING FIRE WATER SUPPLY IS PROVIDED BY AN EXISTING 70,000 GALLON WATER STORAGE TANK AND A 750 GPM 120 PSIG FIRE PUMP. SEE FIRE PUMP SCHEDULE ON SHEET F1.1.
 - SYSTEM SHALL BE INSTALLED IN ACCORDANCE WITH 2009 NRC, 2009 NCP, AND NFPA 13 2009 EDITION.
 - PROVIDE ALL NECESSARY SPRINKLER DRAINS, AUXILIARY DRAINS, BALL DRIPS, DRAIN VALVES ETC. FOR A COMPLETE WET PIPE SYSTEM.
 - INSTALL SPRINKLER HEADS IN CENTER OF LAY-IN CEILING TILES. HEADS LOCATED IN GYPSUM BOARD OR OTHER CEILING SHALL BE LOCATED IN LINE WITH ELEMENTS (I.E. DIFFUSERS, ETC.) AND IN A SYMMETRICAL MANNER AS SHOWN ON PLANS.
 - ALL PIPE ELEVATION DIMENSIONS AND FITTINGS ARE SHOWN FOR HYDRAULIC CALCULATION PURPOSES ONLY. CONTRACTOR SHALL COORDINATE ACTUAL ELEVATIONS WITH OTHER TRADES AND MAKE ALL NECESSARY OFFSETS AROUND OBSTRUCTIONS AS REQUIRED BEFORE THE FABRICATION OF SPRINKLER PIPE.
 - THE SPRINKLER CONTRACTOR SHALL COORDINATE THEIR SHOP DRAWINGS WITH THE STRUCTURAL, PLUMBING, MECHANICAL AND ELECTRICAL CONTRACTORS TO ESTABLISH ACTUAL PIPE ELEVATIONS BETWEEN THE RESPECTIVE TRADES BEFORE PIPE FABRICATION. REFER TO SPEC. SECTION 211313 QUALITY ASSURANCE - INSTALLER QUALIFICATIONS.
 - SEE SPEC. SECTION 211313 FOR TYPES OF SPRINKLER PIPE ACCEPTABLE.
 - PROVIDE AUXILIARY DRAINS PER NFPA 13 - 8.15.2.5 AUXILIARY DRAINS.
 - SEE SPEC. SECTION 211313 1.8.A.3 REGARDING SPRINKLER SYSTEM OUT OF SERVICE.

SPRINKLER SYMBOL SCHEDULE	
	UPRIGHT SPRINKLER HEAD
	HORIZONTAL SIDEWALL SPRINKLER HEAD
	EXISTING RECESSED PENDANT SPRINKLER HEAD
	EXISTING SPRINKLER PIPING
	NEW SPRINKLER PIPING



RECESSED SPRINKLER RETURN BEND DETAIL

NOT TO SCALE

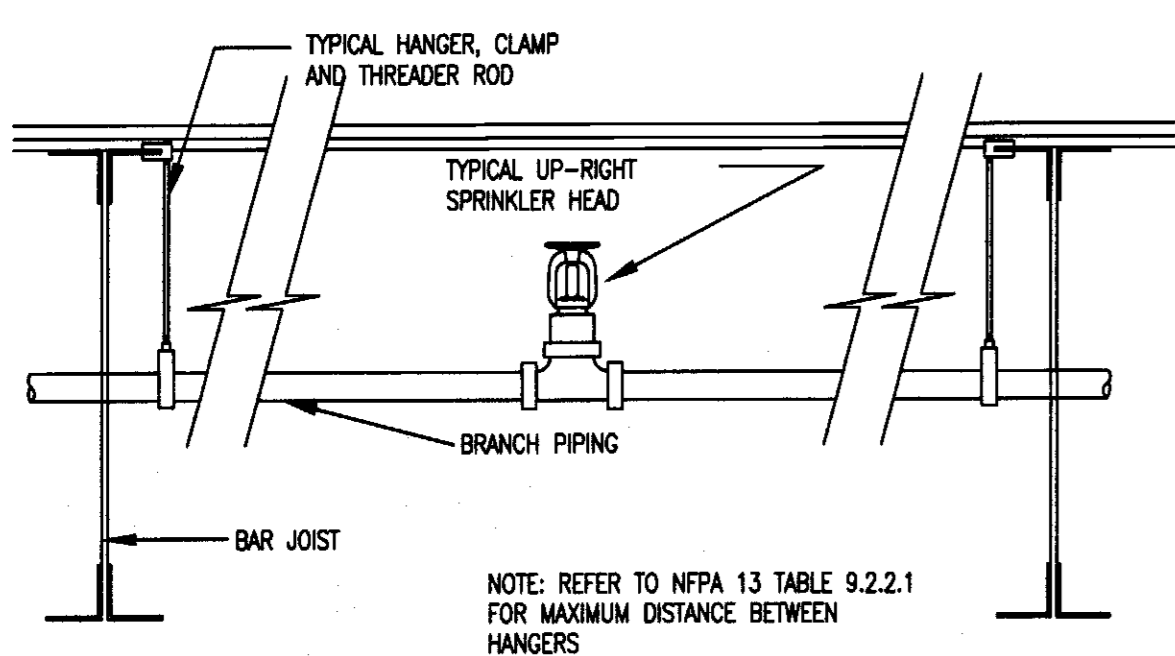
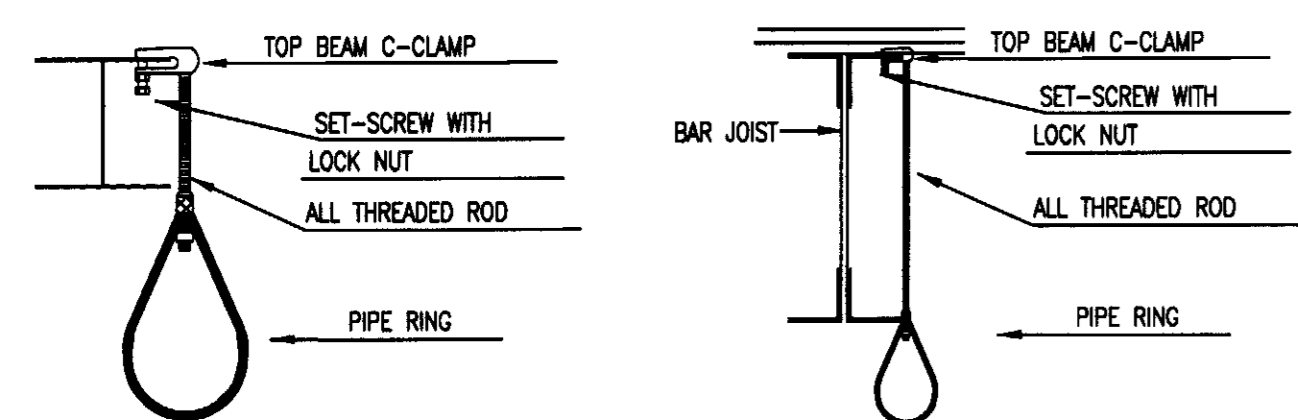


- | | | |
|--|--|---|
| RECESSED PENDANT HEAD (MAX. COATED)
STANDARD COVERAGE QUICK RESPONSE
ORDINARY HAZARD SPRINKLER
W/ ADJ. CHROME RECESSED CLIP K=5.6 165F | UPRIGHT HEAD (MAX. COATED)
STANDARD COVERAGE QUICK RESPONSE
ORDINARY HAZARD SPRINKLER
K=5.6 165F | DRY HORIZONTAL SIDEWALL (MAX. COATED)
STANDARD COVERAGE QUICK RESPONSE
ORDINARY HAZARD SPRINKLER
K=5.6 165F |
|--|--|---|

NOTE: SEE SPECIFICATIONS FOR LIST OF SPRINKLER MANUFACTURERS.

2 TYPICAL SPRINKLER HEADS
NOT TO SCALE

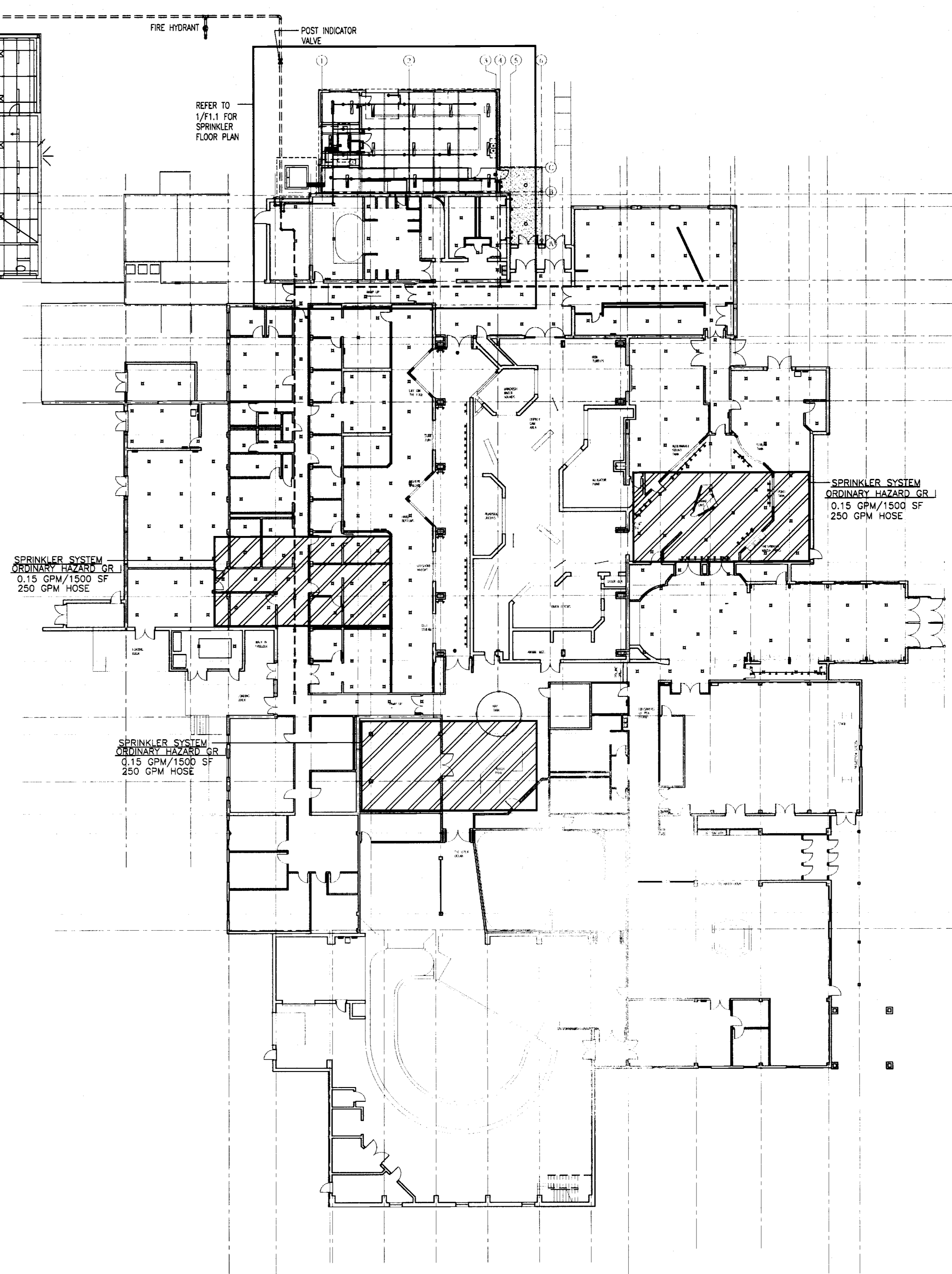
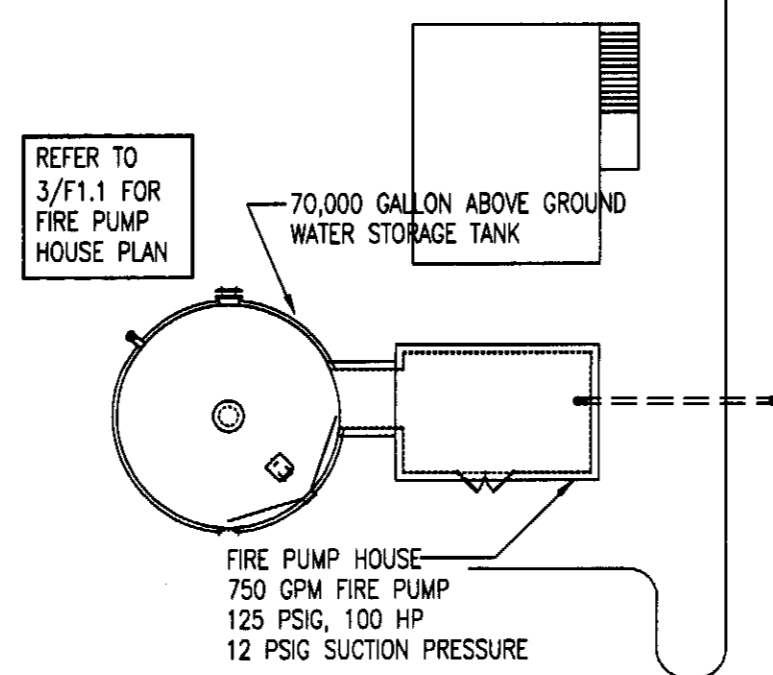
F0.1



NOTE: REFER TO NFPA 13 TABLE 9.2.2.1 FOR MAXIMUM DISTANCE BETWEEN HANGERS

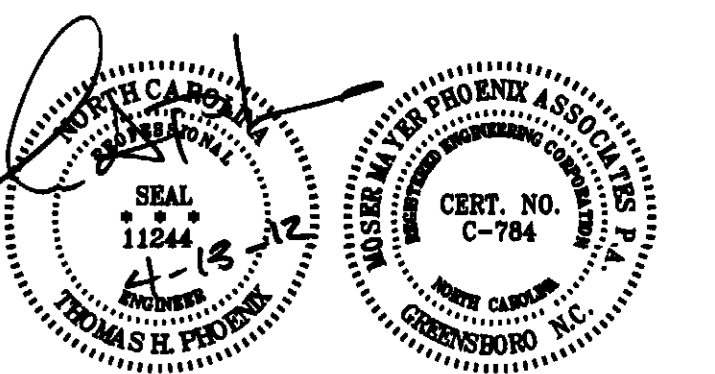
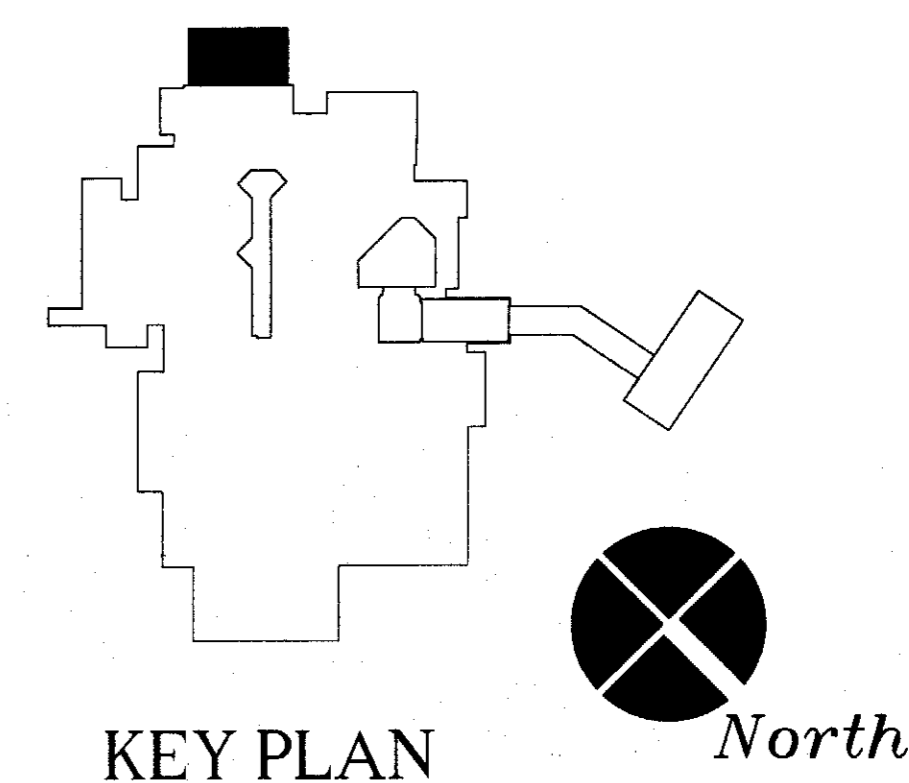
3 TYPICAL HANGER DETAILS
NOT TO SCALE

F0.1



1 SPRINKLER FLOOR PLAN
1" = 20"

F0.1



THIS DRAWING IS THE PROPERTY OF
MOSER MAYER PHOENIX ASSOCIATES, P.A.
AND IS NOT TO BE COPIED OR
REPRODUCED IN PART OR WHOLE
WITHOUT PERMISSION.

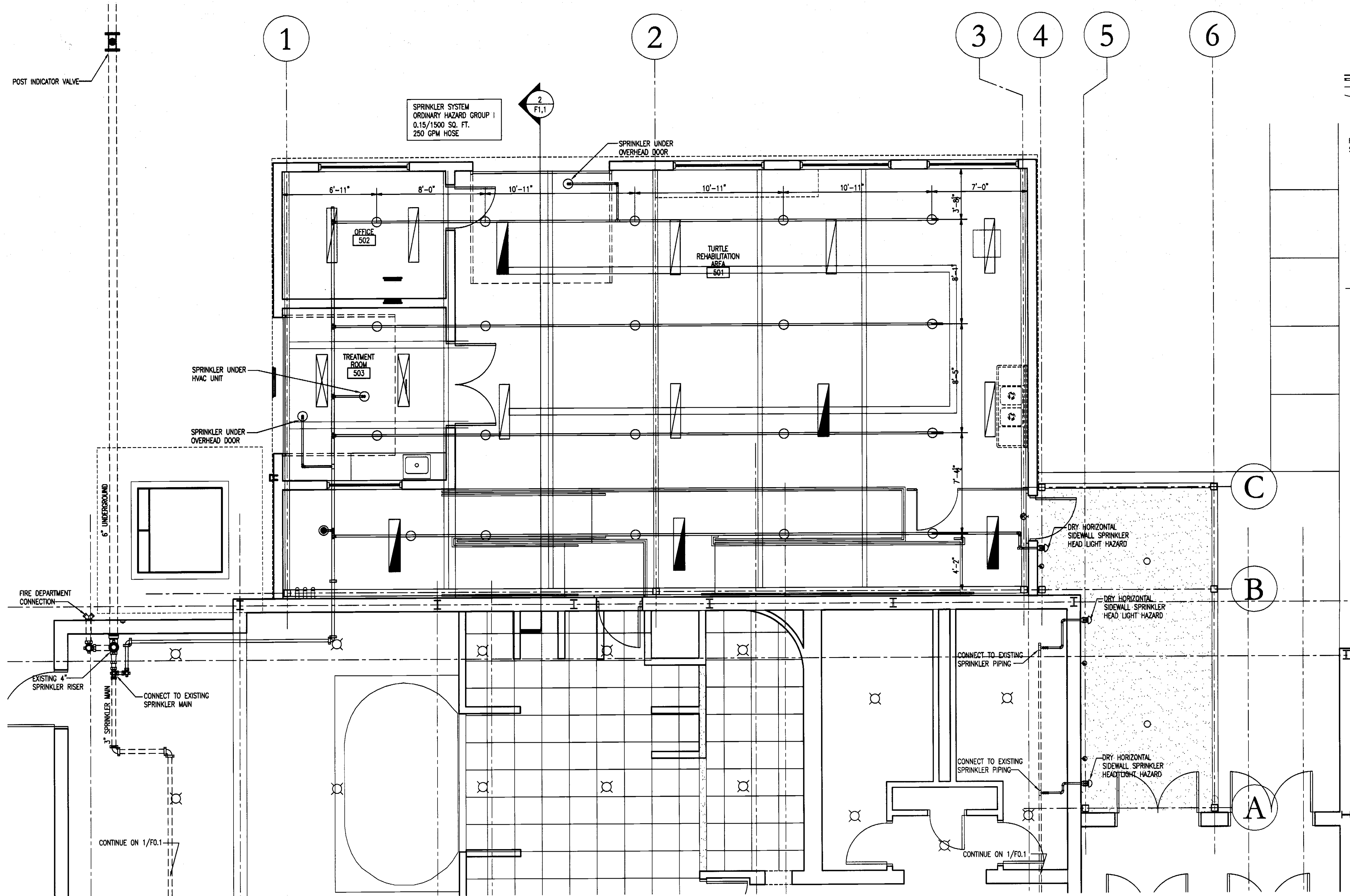
SCO ID* 10-08584-01A

REVISIONS		
NO.	DATE	DESCRIPTION

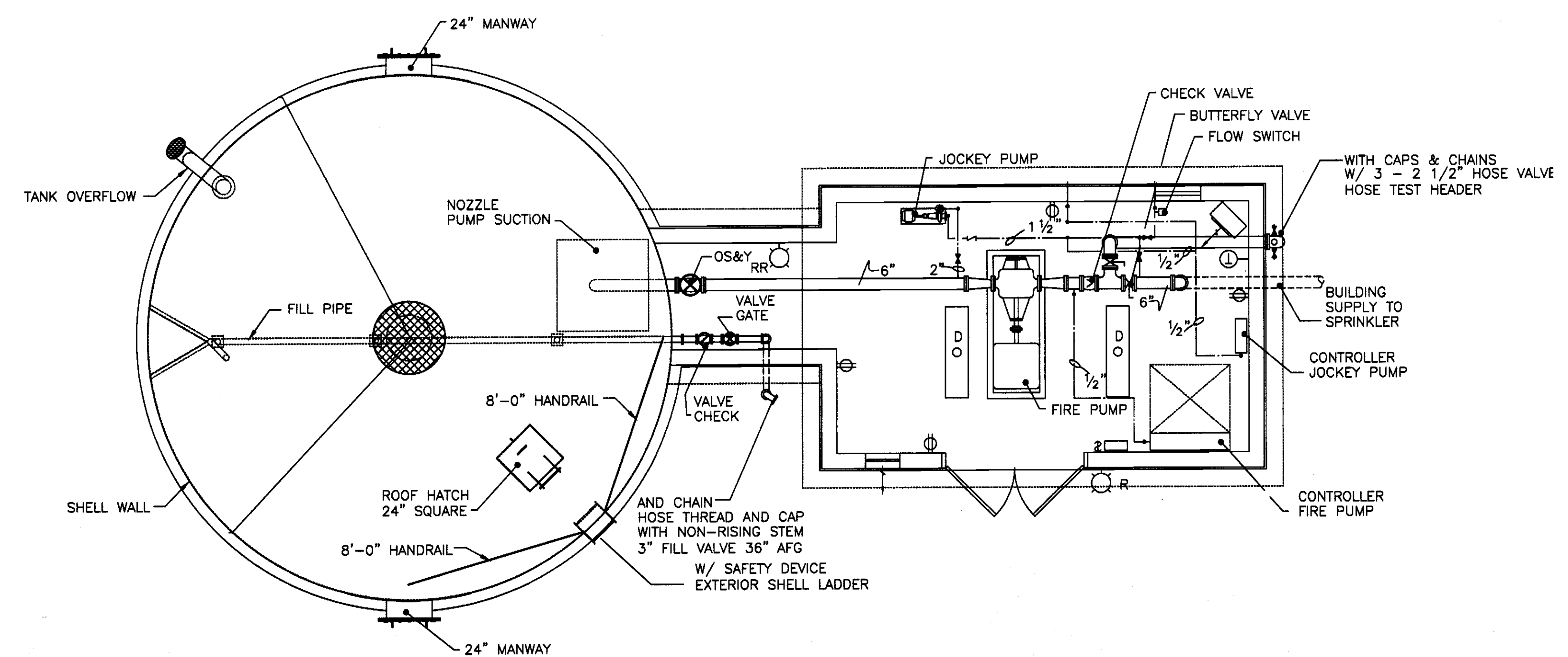
DATE	04-18-2012
PROJECT NUMBER	11007.01
SCALE	AS NOTED
DRAWN BY	RAD
CHECKED BY	THP

GENERAL NOTES
SCHEDULES AND
DETAILS

F0.1



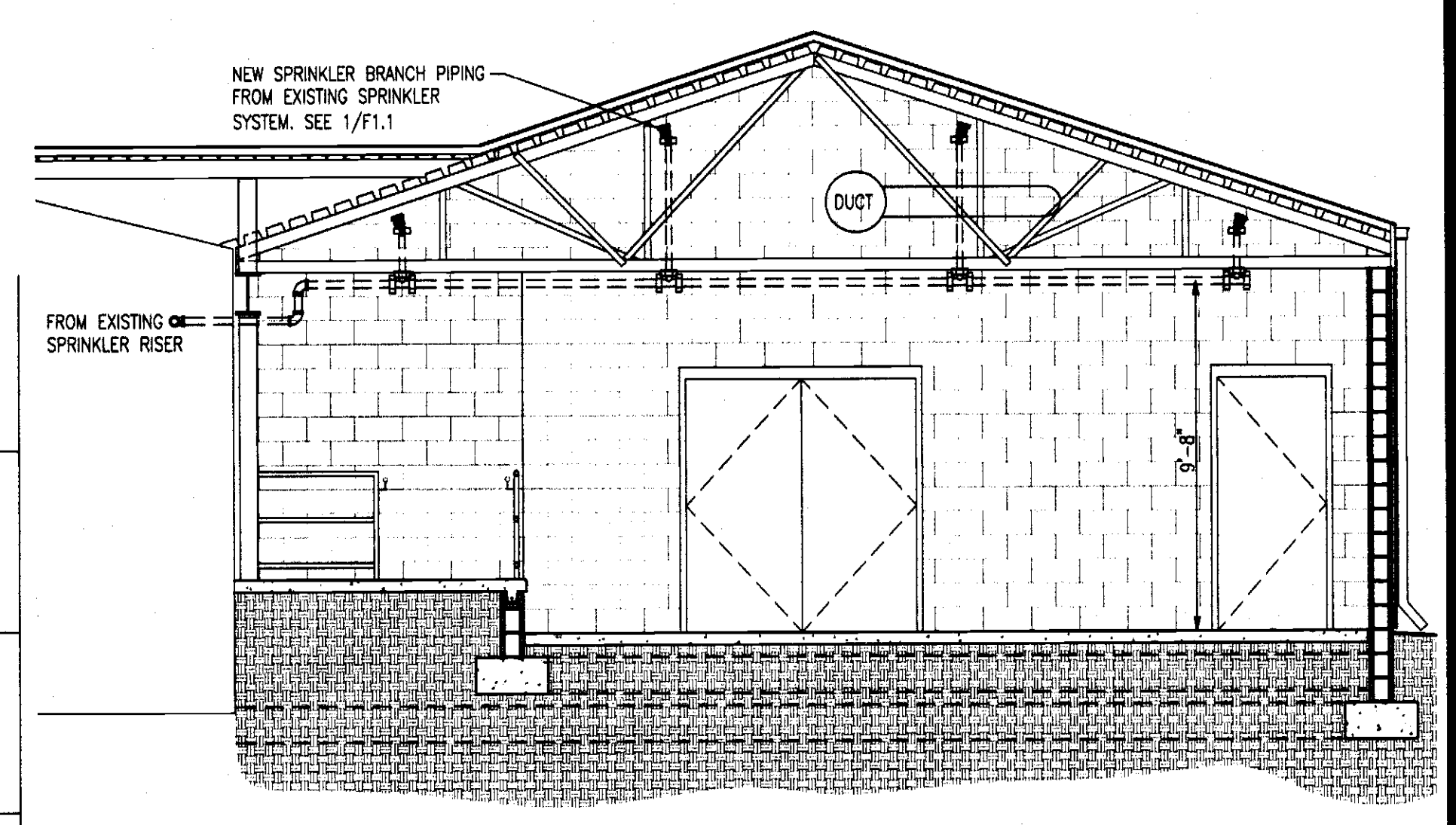
1 SPRINKLER FLOOR PLAN
1/4" = 1'-0"



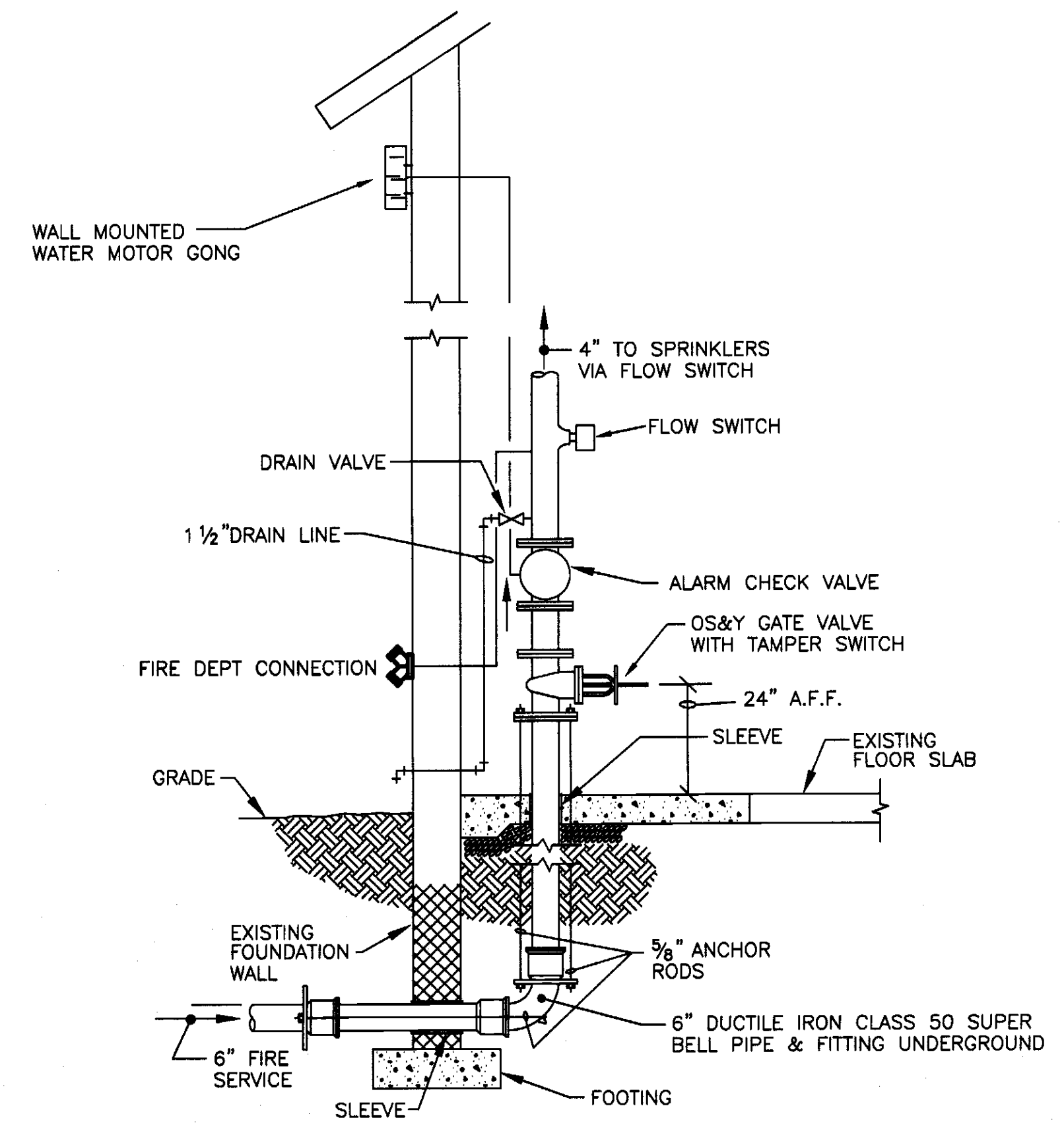
3 FIRE PUMP HOUSE
1/4" = 1'-0"

FIRE PUMP SCHEDULE

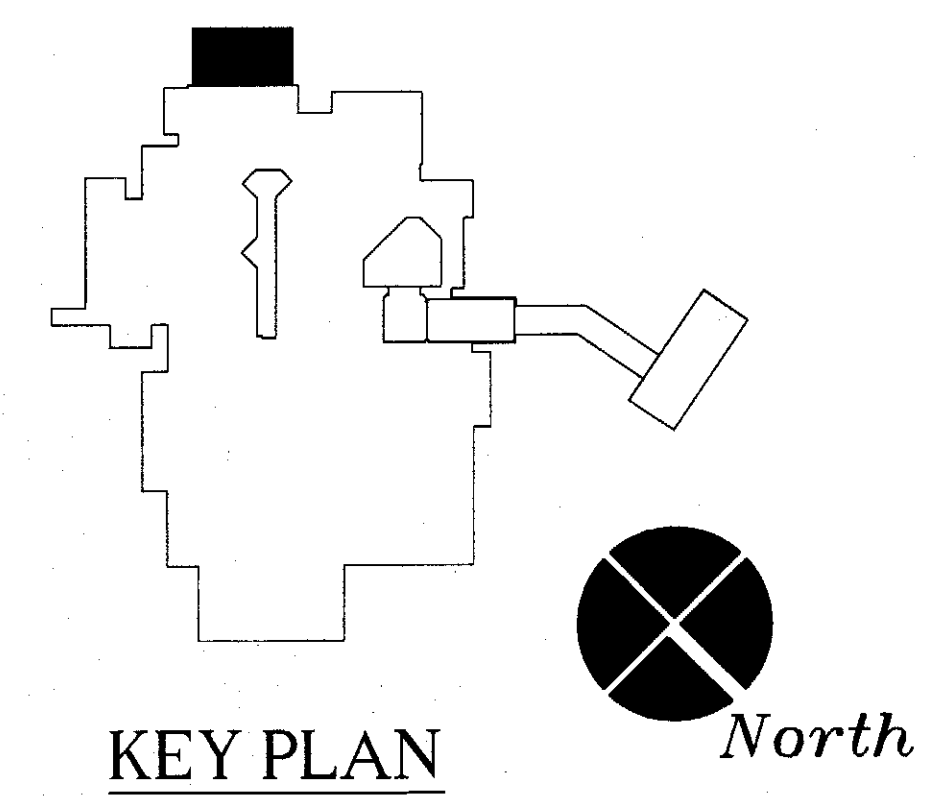
DESIGNATION	GPM	HEAD (PS)	RPM	% EFFICIENCY	HP	POWER	CONNECTION SUCTION x DISCHARGE	MODEL	TYPE
FIRE PUMP	750	130	3550	-	100	460V/3	6x6	FARBANKS MORSE	HORIZONTAL
JOCKEY PUMP	11	110	3450	-	2	460V/1	1-1/4x1-1/4	GRUNDFOS	VERTICAL



2 SPRINKLER BUILDING SECTION
1/4" = 1'-0"



4 EXISTING SPRINKLER RISER
NOT TO SCALE



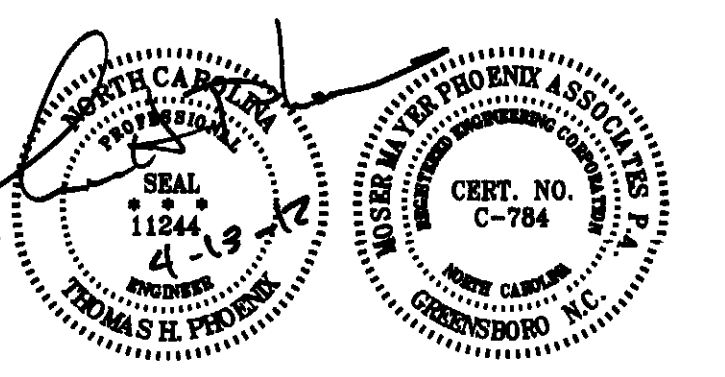
ROANOKE ISLAND AQUARIUM
TURTLE REHABILITATION
CENTER

374 AIRPORT ROAD
MANTEO, NORTH CAROLINA 27954



MOSER
MAYER
PHOENIX
ASSOCIATES, PA

328 E. Market Street
Suite 200
Greensboro, N.C. 27401
Telephone 336-373-9800
Fax 336-373-0077



THIS DRAWING IS THE PROPERTY OF
MOSER MAYER PHOENIX ASSOCIATES, P.A.
AND IS NOT TO BE COPIED OR
REPRODUCED IN PART OR WHOLE
WITHOUT PERMISSION.

SCO ID# 10-08584-01A

REVISIONS

NO.	DATE	DESCRIPTION

DATE 04-13-2012
PROJECT NUMBER 11007.01
SCALE AS NOTED
DRAWN BY RAD
CHECKED BY THP

SPRINKLER FLOOR
PLAN

F1.1